

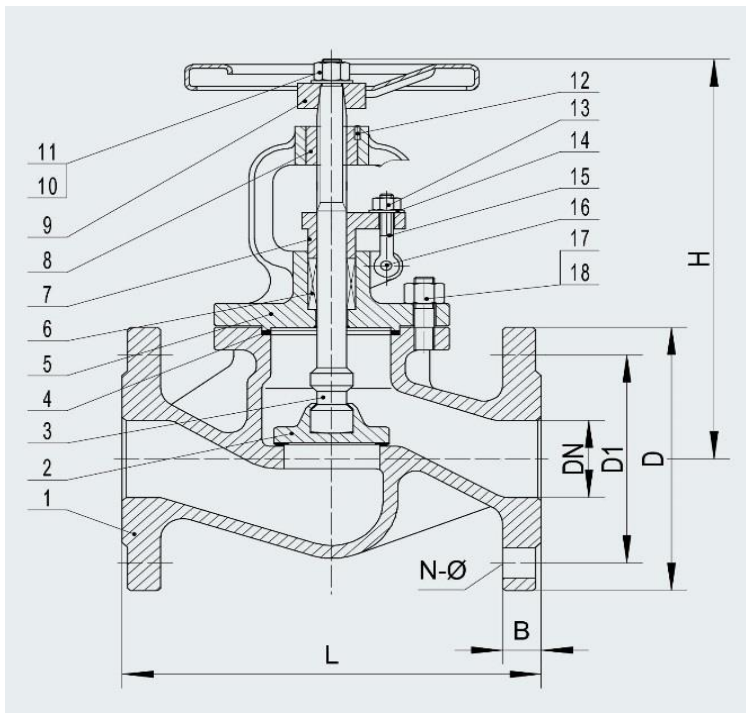


### DESCRIPTION:

AUTOMA Globe Valve S-Pattern is designed for high pressure and high temperature applications and used for regulating of flow in a pipeline. This valve can be installed in horizontal or vertical positions in the pipe line system, the flow direction should be in accordance with marking on the body.

### SPECIFICATION:

- WCB body / stainless steel 13%Cr seat ring
- Design according to EN13709
- Face to face according to EN558
- Flange end according to EN1092
- Test according to EN12266
- Maximum temperature up to 350°C
- Shell pressure test at 24bar / 60bar for PN40
- Seat pressure test at 18bar / 44bar for PN40



### MATERIAL LIST:

ITEM	PART NAME	MATERIAL
1	Body	GS-C25+13Cr
2	Disc	CS+13Cr
3	Stem	13Cr
4	Gasket	SS304+graphite
5	Cover	GS-C25
6	Gland Packing	Graphite
7	Gland	13Cr
8	Yoke nut	GGG40.3
9	Handwheel	CS
10	Nut	A194-2H
11	Washer	CS
12	Bolt	A193-B7
13	Nut	A194-2H
14	Washer	CS
15	Eye bolt	A193-B7
16	Pin	CS
17	Bolt	A193-B7
18	Nut	A194-2H

### DIMENSIONS PN16 (mm):

SIZE	1/2"	3/4"	1"	1-1/4"	1-1/2"	2"	2-1/2"	3"	4"	5"	6"	8"
DN	15	20	25	32	40	50	65	80	100	125	150	200
L	130	150	160	180	200	230	290	310	350	400	480	600
H	180	190	220	222	252	263	290	330	350	420	455	550
D	95	105	115	140	150	165	185	200	220	250	285	340
D1	65	75	85	100	110	125	145	160	180	210	240	295

### DIMENSIONS PN40 (mm):

L	130	150	160	180	200	230	290	310	350	400	480	600
H	180	190	220	222	252	263	290	330	350	420	455	550
D	95	105	115	140	150	165	185	200	<b>235</b>	<b>275</b>	<b>300</b>	<b>375</b>
D1	65	75	85	100	110	125	145	160	<b>190</b>	<b>220</b>	<b>250</b>	<b>320</b>

The specification and dimensions are subject to change without prior notice!