

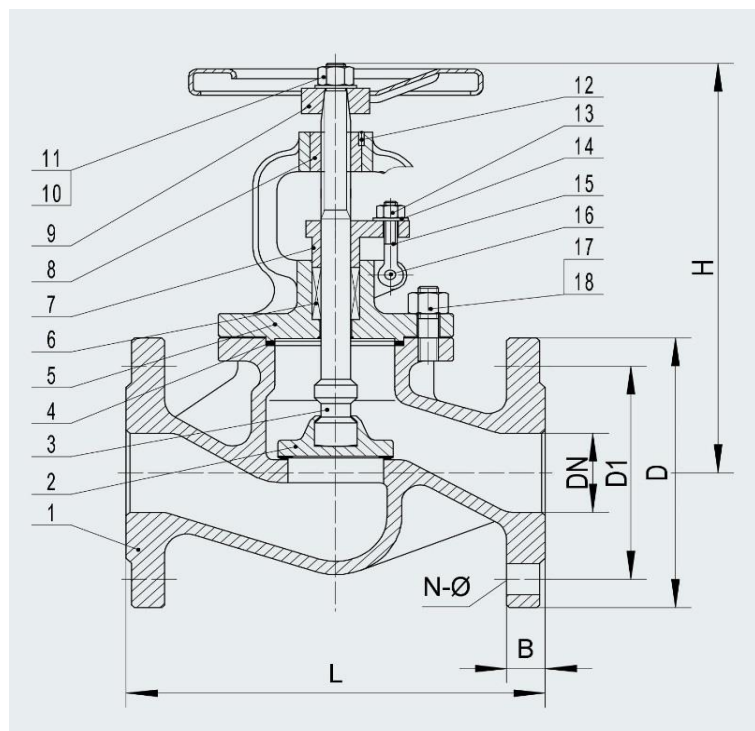


DESCRIPTION:

AUTOMA Bellows Seal Globe Valve is designed for high pressure and high temperature applications and used for regulating of flow in a pipeline. This valve can be installed in horizontal or vertical positions in the pipe line system, the flow direction should be in accordance with marking on the body.

SPECIFICATION:

- WCB body / stainless steel 13%Cr seat ring
- Design according to EN13709
- Face to face according to EN558
- Flange end according to EN1092
- Test according to EN12266
- Maximum temperature up to 350°C
- Shell pressure test at 24bar / 60bar for PN40
- Seat pressure test at 18bar / 44bar for PN40



MATERIAL LIST:

ITEM	PART NAME	MATERIAL
1	Body	GS-C25+13Cr
2	Disc	CS+13Cr
3	Pin	SS304
4	Bellows	SS304
5	Gasket	SS304+graphite
6	Bolt	A193-B7
7	Nut	A194-2H
8	Gland packing	Graphite
9	Gland	13Cr
10	Bonnet	GS-C25
11	Guide	CS
12	Stem	X20Cr13
13	Yoke nut	GGG40.3
14	Lock nut	CS
15	Handwheel	CS
16	Grease nipple	Cu-Alloy

DIMENSIONS PN16 (mm):

SIZE	1/2"	3/4"	1"	1-1/4"	1-1/2"	2"	2-1/2"	3"	4"	5"	6"	8"
DN	15	20	25	32	40	50	65	80	100	125	150	200
L	130	150	160	180	200	230	290	310	350	400	480	600
H	180	190	220	222	252	263	290	330	350	420	455	550
D	95	105	115	140	150	165	185	200	220	250	285	340
D1	65	75	85	100	110	125	145	160	180	210	240	295

DIMENSIONS PN40 (mm):

L	130	150	160	180	200	230	290	310	350	400	480	600
H	180	190	220	222	252	263	290	330	350	420	455	550
D	95	105	115	140	150	165	185	200	235	275	300	375
D1	65	75	85	100	110	125	145	160	190	220	250	320

The specification and dimensions are subject to change without prior notice!