



DESCRIPTION:

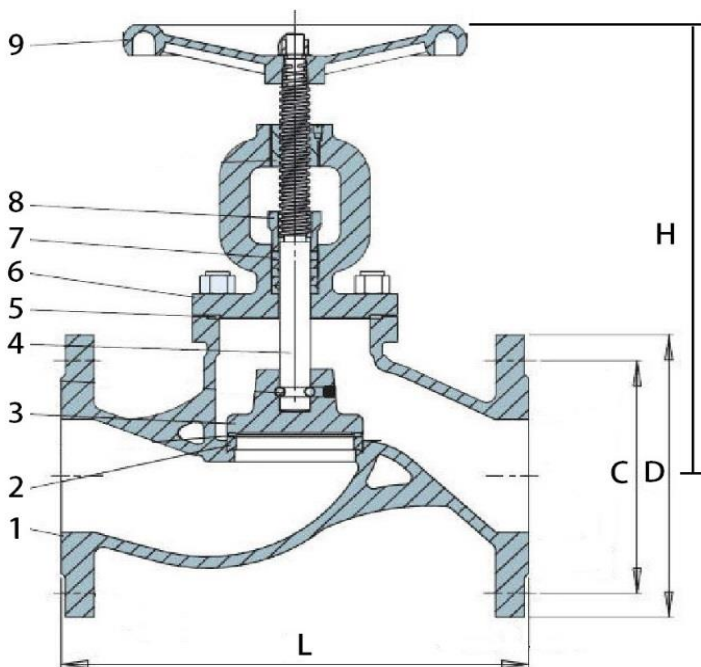
AUTOMA Globe Valve S-pattern is designed for high pressure and high temperature applications and used for regulating of flow in a pipeline. This valve can be installed in horizontal or vertical positions in the pipe line system, the flow direction should be in accordance with marking on the body.

SPECIFICATION:

- Cast iron body / stainless steel 13%Cr seat ring
- Face to face according to EN558
- Flange end according to PN16
- Max. pressure 16bar for WOG @ 120°C
- Max. pressure 10bar for steam @ 300°C
- Maximum temperature up to 300°C
- Shell pressure test at 24bar
- Seat pressure test at 18bar

APPLICATION:

- Water, oil and neutral gases
- Hot water and steam



MATERIAL LIST:

PART NAME	MATERIAL
1. Body	Cast iron GG25
2. Seat ring	Stainless steel X20Cr13
3. Disc	Stainless steel X20Cr13
4. Stem	Stainless steel X20Cr13
5. Gasket	Graphite
6. Bonnet	Cast iron GG25
7. Gland packing	Graphite
8. Gland	Cast iron GG25
9. Handwheel	Cast iron GG25

DIMENSIONS (mm):

SIZE	1/2"	3/4"	1"	1-1/4"	1-1/2"	2"	2-1/2"	3"	4"	5"	6"	8"	10"	12"
DN	15	20	25	32	40	50	65	80	100	125	150	200	250	300
L	130	150	160	180	200	230	290	310	350	400	480	600	730	850
H	170	170	180	190	235	250	260	300	350	390	430	530	640	710
D	95	105	115	140	150	165	185	200	220	250	285	340	405	460
C	65	75	85	100	110	125	145	160	180	210	240	295	355	410

The specification and dimensions are subject to change without prior notice!