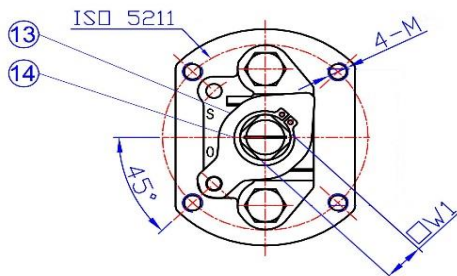
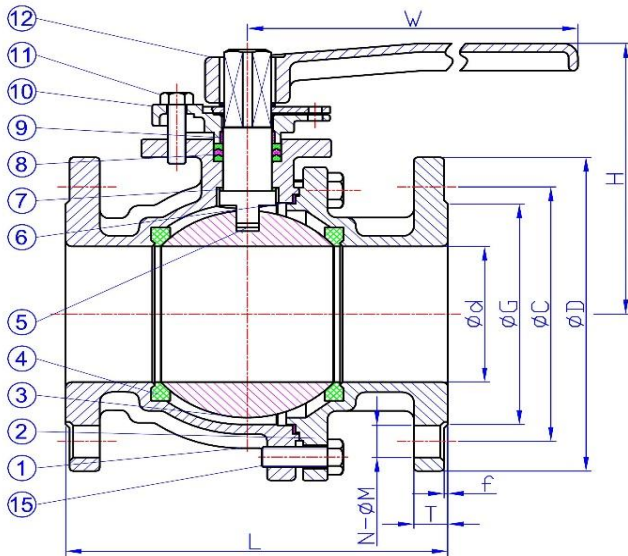



**SPECIFICATION:**

- Full bore ball valve
- Investment casting body
- Blow-out-proof stem
- Dimensions according to ANSI B16.5 B16.10
- Pressure test according to API 598
- Design according to ANSI B16.34
- ISO5211 mounting pad
- Working temperature up to 180° C


**PRESSURE TEST**

SHELL	SEAT	
	by water	by air
450 psi	315 psi	85 psi

**MATERIAL LIST**

NO.	PART NAME	MATERIAL		
		AT226	AT227	AT228
1	Body	WCB	CF8	CF8M
2	Cap	WCB	CF8	CF8M
3	Ball	CF8	CF8	CF8M
4	Seat	R-PTFE	R-PTFE	
5	Stem	SUS304	SUS304	SUS316
6	Gasket	PTFE	PTFE	
7	Thrust Washer	PTFE	PTFE	
8	Packing	PTFE	PTFE	
9	Stem Packing	PTFE	PTFE	
10	Gland	CF8	CF8	
11	Gland Bolt	B7	SUS304	
12	Handle	WCB	WCB	
13	Stopper	SUS304	SUS304	
14	Snap Ring	SUS304	SUS304	
15	Bolt	B7	SUS304	

**DIMENSIONS**

SIZE	ø d	L	H	W	FLANGE ANSI-150LB						TOP MOUNTING		
					ø C	ø D	ø G	f	T	N-øM	ISO5211	W1	4-M
1/2"	15	108	70	160	60.5	89	35	1.6	11.1	4 - ø16	F04	12	M5
3/4"	20	117	73	160	70.0	98	43	1.6	11.1	4 - ø16	F04	12	M5
1"	25	127	77	160	79.5	108	51	1.6	11.1	4 - ø16	F05	12	M6
1-1/4"	32	140	85	160	89.5	117	64	1.6	12.7	4 - ø16	F05	12	M6
1-1/2"	40	165	104	186	98.5	127	73	1.6	14.3	4 - ø16	F07	17	M8
2"	50	178	114	186	120.5	152	92	1.6	15.9	4 - ø19	F07	17	M8
2-1/2"	65	190	142	324	139.5	178	102	1.6	17.5	4 - ø19	F07	21	M8
3"	80	203	153	324	152.5	190	127	1.6	19.1	4 - ø19	F10	21	M10
4"	100	229	166	324	190.5	229	157	1.6	23.9	8 - ø19	F10	21	M10
5"	125	356	224	750	216.0	254	186	1.6	23.9	8 - ø22	F12	24	M12
6"	150	394	247	750	241.5	279	216	1.6	25.4	8 - ø22	F12	24	M12
8"	200	457	305	1000	298.5	343	270	1.6	28.6	8 - ø22	F12	32	M12
10"	250	533	327	1000	362.0	406	324	1.6	30.2	12 - ø25	F14	32	M16
12"	300	610	355	1000	432.0	483	381	1.6	31.8	12 - ø25	F14	32	M16

The specification and dimensions are subject to change without prior notice!