

FEATURES:

- FACE TO FACE DIMENSIONS: JIS B2002
- END FLANGE DIMENSIONS: JIS B2239
- DESIGN: ANSI B16.34
- TEST: JIS B2003
- WITH ISO 5211 MOUNTING PAD
- INVESTMENT CASTING BODY
- FULL PORT
- LEVER OPERATED OR GEAR OPERATED

MATERIALS LIST:

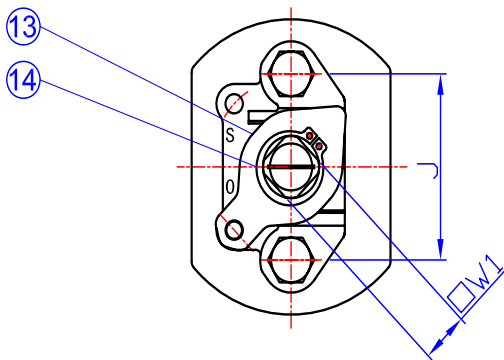
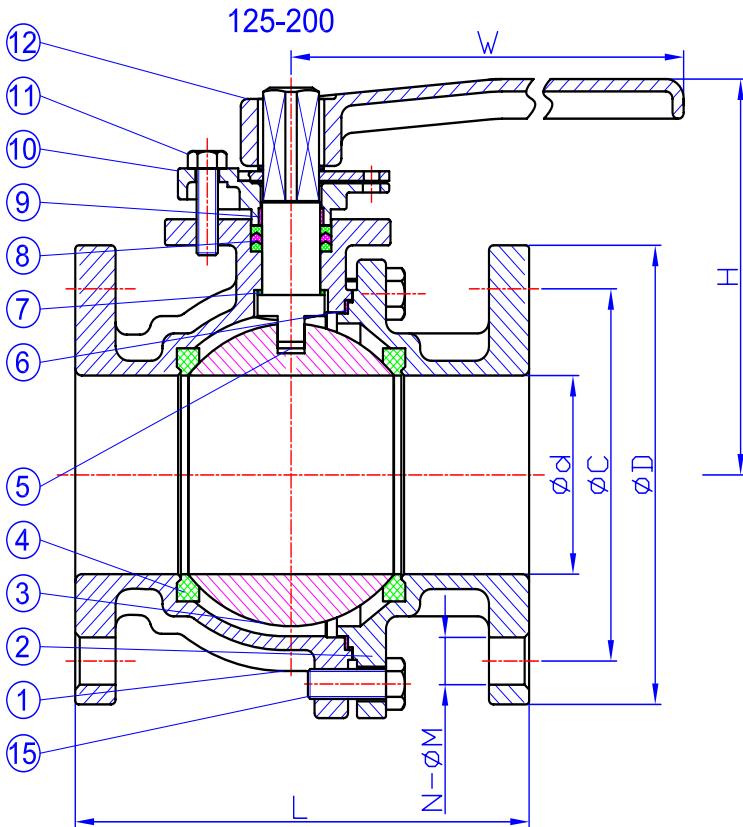
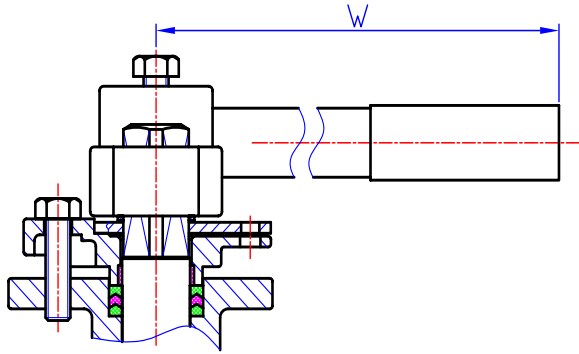
NO.	PART NAME	MATERIAL
1	BODY	FC20
2	CAP	FC20
3	BALL	SCS13
4	SEAT	PTFE
5	STEM	SUS304
6	GASKET	PTFE
7	THRUST WASHER	PTFE
8	PACKING	PTFE
9	GLAND PACKING	PTFE
10	GLAND	SS41
11	GLAND BOLT	S41C
12	HANDLE	WCB
13	STOPPER	SUS304
14	SNAP RING	SS41
15	BOLT	S41C

TEST PRESSURE:

SHELL(BY WATER)		2.1MPa
		21.5kg/cm ²
SEAT	BY WATER	1.6MPa
		16.5kg/cm ²
	BY AIR	0.6MPa
		6kg/cm ²

DIMENSIONS:

SIZE	d	D	C	N-ØM	L	H	W	W1	J
15	15	95	70	4-Ø15	110	70	160	12	50
20	20	100	75	4-Ø15	120	73	160	12	50
25	25	125	90	4-Ø19	130	77	160	12	50
32	32	135	100	4-Ø19	140	85	160	12	50



FEATURES:

- FACE TO FACE DIMENSIONS: JIS B2002
- END FLANGE DIMENSIONS: JIS B2239
- DESIGN: ANSI B16.34
- TEST: JIS B2003
- WITH ISO 5211 MOUNTING PAD
- INVESTMENT CASTING BODY
- BLOW-OUT PROOF STEM / FULL PORT
- LEVER OPERATED OR GEAR OPERATED

MATERIALS LIST:

NO.	PART NAME	MATERIAL
1	BODY	FC20
2	CAP	FC20
3	BALL	SCS13
4	SEAT	PTFE
5	STEM	SUS304
6	GASKET	PTFE
7	THRUST WASHER	PTFE
8	PACKING	PTFE
9	GLAND PACKING	PTFE
10	GLAND	SS41
11	GLAND BOLT	S41C
12	HANDLE	WCB
13	STOPPER	SUS304
14	SNAP RING	SS41
15	BOLT	S41C

DIMENSIONS:

SIZE	d	D	C	N-ØM	L	H	W	W1	J
40	40	140	105	4-Ø19	165	104	186	17	62
50	50	155	120	4-Ø19	180	114	186	17	62
65	65	175	140	4-Ø19	190	142	324	21	75
80	80	185	150	8-Ø19	200	153	324	21	75
100	100	210	175	8-Ø19	230	166	324	21	75
125	125	250	210	8-Ø23	300	224	750	24	89
150	150	280	240	8-Ø23	340	247	750	24	89
200	200	330	290	12-Ø23	450	305	1000	32	100

TEST PRESSURE:

SHELL (BY WATER)	2.1MPa	
	21.5kg/cm ²	
SEAT	BY WATER	1.6MPa
		16.5kg/cm ²
	BY AIR	0.6MPa
		6kg/cm ²