



A MEMBER OF UNIMECH GROUP, MALAYSIA

## DUAL-PLATE WAFER TYPE CHECK VALVE

- ACV-109WT (U)**
- ACV-309WT (U)**
- ACV-709WT (U)**
- ACV-809WT (U)**

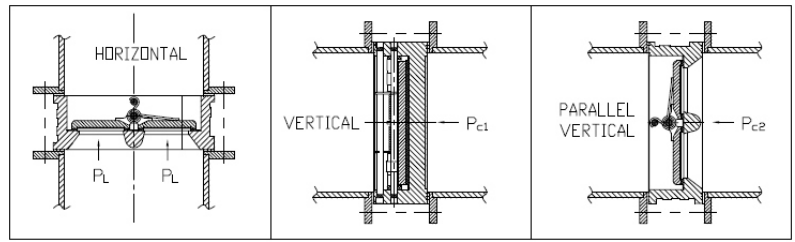


The compact design of dual plate wafer check valves gives it the advantages over other check valves in size, weight, cost, ease of installation and maintenance. The construction of the valves is simple and reliable. The plates function independent of each other and the stainless steel torsion springs shut the valve quickly to minimize reversal flow and prevent water hammer. It requires only a low force to open the plates, hence, minimize the pressure drop across the valve. In shut position, the plates rest on resilient seat which provides good sealing.

 ISO 9001:2008  CERTIFICATE NO. 0436-2002-AQ-RGC-RW-Rev.1	 Pressure accessory  CERTIFICATE NO. 03-SKM-PED-B1-295225-00	 CE Notified Body No. 0575  CERTIFICATE NO. PED-D-59	 Det Norske Veritas Rules for Classification of Ships Det Norske Veritas Standards for Certification 2.9 No.5.754.40  CERTIFICATE NO. P-12513	 ISO 9001:2008  CERTIFICATE NO. 012  Certificate Number: 8711
--	---	---	---	--

## Dimensions in mm

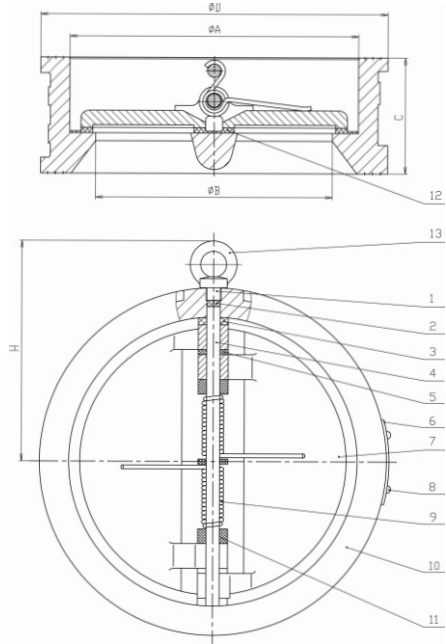
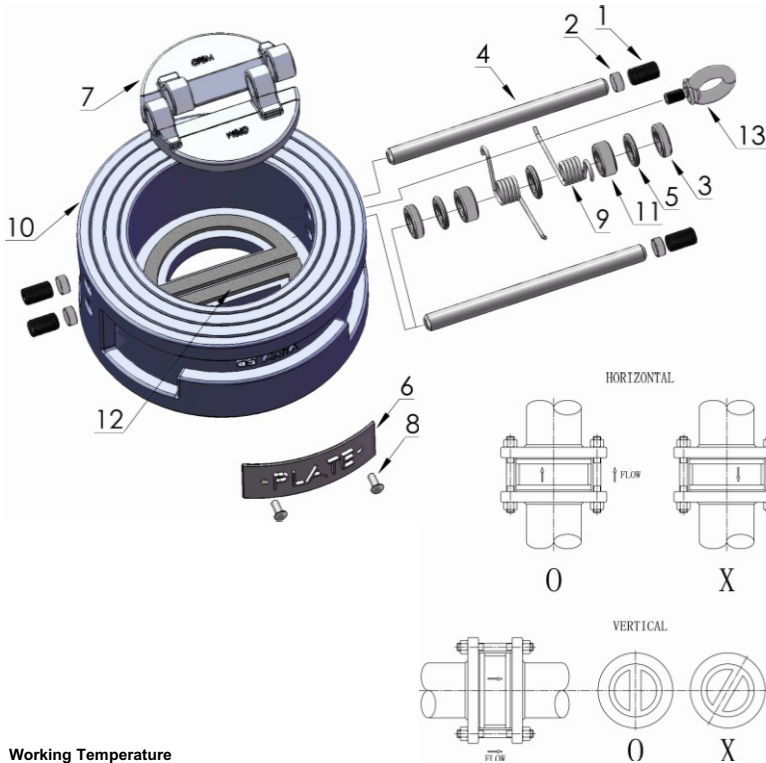
SIZES		ØA	ØB	C	ØD	H	Cv	WT (KG)
DN	In.							
50	2	65.0	40	43	101		42	1.4
65	2 1/2	78.0	58	46	121		68	1.9
80	3	94.0	70	64	129		97	3.0
100	4	116.2	88	64	156		178	4.6
125	5	145.0	115	70	187		278	6.0
150	6	170.0	134	76	213		400	7.9
200	8	222.0	182	89	267	169.5	719	15.8
250	10	265.0	220	114	327	199.5	1130	25.4
300	12	310.0	260	114	375	223.5	1635	36.9
350	14	360.0	302	127	420	246.0	1986	54.2
400	16	410.0	350	140	483	285.5	2639	78.0
450	18	450.0	385	152	537	320.5	3385	107.8
500	20	505.0	438	152	592	348.0	4223	122.1
600	24	624.0	538	178	695	399.5	6178	171.2



### 2"-24" Dual Plate Wafer Check minimum opening pressure

Specification	2"	2.5"	3"	4"	5"	6"	8"	10"	12"	14"	16"	18"	20"	24"
Opening pressure PL (KPa)	20.49	12	6.43	3.22	2.68	2.29	3.7	3.07	3.33	3.71	4.95	4.21	3.5	2.77
Vertical pressure P <sub>c1</sub> (KPa)	19.67	11.4	5.35	2.08	1.76	1.26	2.63	1.74	1.75	1.87	2.42	1.45	0.93	0.66
Parallel vertical pressure P <sub>c2</sub> (KPa)	19.18	11.18	4.95	1.44	1.44	0.96	2.33	1.36	1.32	1.4	1.83	0.82	0.35	0.13

Note : Cv = US Gallon per minutes



### Pressure - Temperature Ratings

#### Working Temperature

Temperature °C	-15 ~ 140	-10 ~ 80	-20 ~ 150
Seat Material	EPDM	NBR	VITON

#### Pressure Test

Working Pressure	Hydrostatic Test	
	16 Bar	Body 24 Bar

## Materials

No.	PART	QTY.	MATERIAL
1	SET SCREW	4	ASTM 1045 / SS304
2	STEM WASHER	4	NBR / EPDM / VITON
3	DISC RING	2	PTFE
4	STEM	2	SS416 / SS316
5	WASHER	3	PTFE
6	NAMEPLATE	1	ALUMINIUM
7	DISC	2	CF8 / CF8M / DUCTILE IRON / C954
8	RIVET	2	ALUMINIUM
9	SPRING	2	SS304 / SS316 / SS730
10	BODY	1	CAST IRON / DUCTILE IRON / WCB / CF8 / CF8M
11	WASHER	2	PTFE
12	SEAT	2	NBR / EPDM / VITON
13	EYE BOLT	1	CARBON STEEL

		Working Pressures by PN, bar						
PN	Materials	Temp., ° C						
		-29to38	50	100	150	200	250	300
PN10	CF8	10	9.4	8.6	7.7	7	6.5	6
	CF8M	10	10	10	9	8.4	7.9	7.4
	WCB	10	10	10	9.5	9	8.3	7.6
	CI	10	10	10	9	8	7	6
PN16	CF8	16	16	13.7	12.3	11.2	10.4	9.6
	CF8M	16	16	16	14.5	13.4	12.7	11.8
	WCB	16	16	16	15.2	14.5	13.3	12.2
	CI	16	16	16	14.4	12.8	11.2	9.6
	DI	16	16	16	15.5	14.7	13.9	12.8

		Working Pressures by Class 125, bar							
Class	Materials	NPS	Temp., ° C						
			-29to65	80	100	140	160	200	232
CL125	CI (A126, CL B)	1to12	13.8	13.3	12.7	11.5	10.8	9.6	8.6
		14to24	10.3	9.8	9.2	8	7.4		
		30to48	10.3	9.1	7.5	4.2			

#### Standard:

Face to Face	: BS EN558-1
Flange Connection	: ANSI B16 125/150 EN1092-1 PN10/16 JIS B2220 10K
Test Standard	: BS EN 12266-1 / API 598

The contents of this literature are for informative purposes only.

AUTOMA is not responsible for suitability or compatibility of these products in relation to system requirement.

For specific requirements, consult AUTOMA or its distributors.

AUTOMA reserves the right to change or modify product design without prior notice.



## TTS Valve Technologies Sdn Bhd

(A Member Company of Unimech Group Berhad)

11A Jalan USJ 1/31, 47600 Subang Jaya, Selangor, MALAYSIA

Tel: +6 03 80231128 Fax: +6 03 80233278

Email: [info@ttsvalve.com](mailto:info@ttsvalve.com) Website: [www.ttsvalve.com.my](http://www.ttsvalve.com.my)

©2012 Automa Valve

ACV-109WT (U)  
ACV-309WT (U)  
ACV-709WT (U)  
ACV-809WT (U)

07/12