



WAFER TYPE BUTTERFLY VALVE SERIES ACM CAST IRON BODY



The new body design offers esthetic appearance, strength and compatible flange connection to international standards. Its top flange is designed to ISO5211 for the direct mounting of gear operator or actuators which eliminate the cost of mounting bracket. The one piece design body provides outstanding protection against particle entrapment and bacterial growth. The body is epoxy coated for better resistant against abrasion and corrosion. Automa offers various materials for the valves seat and disc to meet the various requirements of customers. The fine finishing of seat surfaces and the polished edge of disc give good sealing and reduction in operating torque. The upper and lower shafts are well supported and properly sealed to prevent leakage. This pin less design has eliminated the potential of leak through pin hole.

 ISO 9001:2008 CERTIFICATE NO. 0436-2002-AQ-RGC-RVA-Rev.1	 Pressure accessory CERTIFICATE NO. 03-SKM-PED-B1-296225-00	  Notified Body No. 0675 CERTIFICATE NO. PED-D-69	 Det Norske Veritas Rules for Classification of Ships Det Norske Veritas Standards for Certification 2.5 No.5.794.40 CERTIFICATE NO. P-12613	 ISO 9001:2008  Certificate Number : 8711
---	---	--	---	---

Dimensions In mm (UNIVERSAL)

SIZES		A	B	C	ØD1	ØD2	ØD3	a°	ØE1	ØE2	ØE3	ØE4	TORQUE (Nm)		Cv	WT. (KG)
DN	In.												PN 10	PN 16		
25	1	88	44	30.0	28.8	—	—	—	50	7	65	35	11	11	14	0.8
40	1 1/2	136	69	32.0	42.6	105.60	23.0	45.00	50	7	65	35	13	13	19	1.8
50	2	156	80	42.0	52.9	120.00	24.0	45.00	50	7	65	35	14	15	31	2.7
65	2 1/2	162	89	44.7	64.5	136.13	28.0	45.00	50	7	65	35	15	17	55	3.2
80	3	170	95	45.2	78.8	152.40	24.5	45.00	50	7	65	35	22	23	87	3.6
						154.50	24.5	22.50								
100	4	185	114	52.1	104.3	182.50	27.0	22.50	70	10	90	55	37	40	140	5.0
125	5	207	127	54.4	123.3	212.50	26.0	22.50	70	10	90	55	58	62	224	6.9
150	6	216	139	55.8	156.0	238.12	26.0	22.50	70	10	90	55	94	102	328	8.6
200	8	256	175	60.6	202.5	293.00	26.0	15.00	102	12	125	70	174	192	572	15.5
						296.07	27.0	22.50								
250	10	248	203	65.6	250.8	357.00	30.5	15.00	102	12	125	70	286	323	837	26.8
300	12	280	242	76.9	301.6	400.00	25.0	11.25	102	12	125	70	429	490	1241	35.1
						416.70	40.5	15.00								
						445.00	25.0	11.25								
350	14	368	267	75.0	333.5	470.00	28.0	11.25	102	12	125	70	550	625	1564	45.6
						476.20	32.5	15.00								
						510.00	27.0	11.25								
400	16	400	297	85.7	389.6	515 (525)	28 (31)	11.25	140	18	175	100	755	846	2087	92.2
						539.70	28.4	11.25								
						565.00	27.9	9.00								
450	18	422	315	104.6	440.5	577.80	31.8	11.25	140	18	175	100	1012	1131	2681	122.0
						585.00	31.0	9.00								
						620.00	28.0	9.00								
500	20	480	348	130.3	491.6	635.00	31.8	9.00	140	18	175	100	1350	1431	3350	202.0
						650.00	34.0	9.00								
						725 (770)	31 (37)	9.00								
600	24	562	444	151.4	592.5	730.00	33.0	7.50	165	23	210	130	2111	2301	4907	230.0
						749.30	35.1	9.00								

Dimension included ANSI125/150, JIS10K, PN10/PN16, (EN1092-2, BS4504, DIN2501 PN 16) (AS2129 TABLE E EXCLUDING 16", 20" and 24")

Note : Cv = US Gallon per minutes

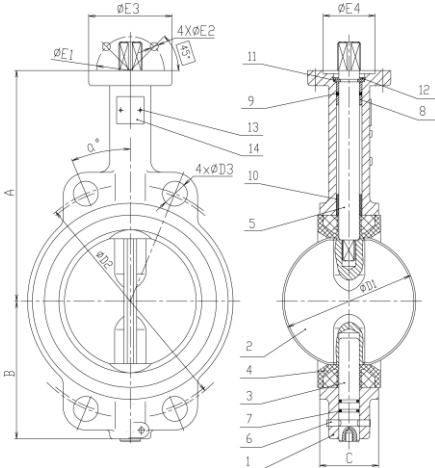
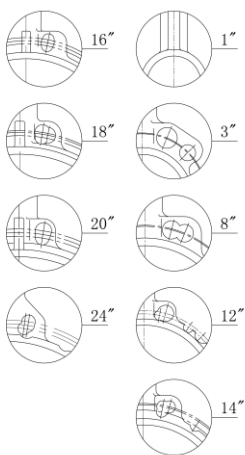
Pressure Test

Working Pressure	1.0 MPa	1.6 MPa	10K	ANSI 125		ANSI 150	
SIZE	1" - 24"	1" - 24"	1" - 24"	1" - 12"	14" - 24"	1" - 12"	
Hydrostatic Test	Seal	1.1 MPa	1.76 MPa	1.54 MPa	1.52 MPa	1.14 MPa	2.2 MPa
	Body	1.5 MPa	2.4 MPa	2.1 MPa	2.1 MPa	1.55 MPa	3.0 MPa

Working Temperature

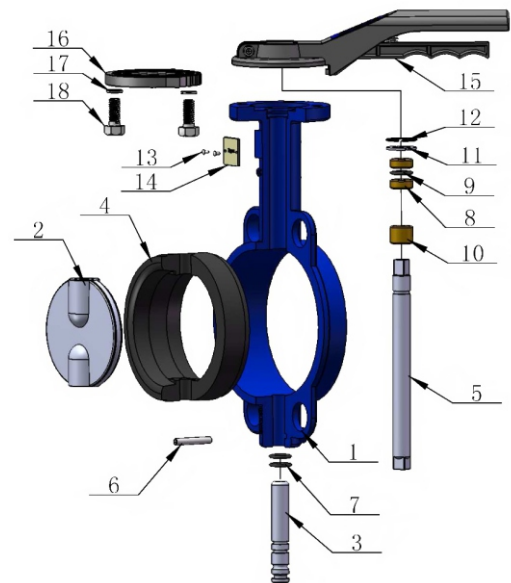
Temperature °C	-10 ~ 80	-15 ~ 140	-20 ~ 150	-20 ~ 180	-50 ~ 200
Seat Material	NBR	EPDM	VITON	PTFE	SILICONE

PITCH CIRCLE DIAMETER



Materials

No.	PART	QTY.	MATERIAL
1	BODY	1	CAST IRON / DUCTILE IRON
2	DISC	1	CF8 / CF8M
3	LOWER STEM	1	SS 416 / SS 316 / SS 431
4	SEAT	1	NBR / EPDM / VITON
5	UPPER STEM	1	SS 416 / SS 316 / SS 431
6	LOCK PIN	1	AISI 1066
7	LOWER 'O' RING	2	NBR / EPDM / VITON
8	BUSHING	2	PTFE
9	'O' RING	1	NBR / EPDM / VITON
10	BUSHING	1	PTFE
11	HALF RING	2	SS 416
12	RETAINER RING	1	SPRING STEEL
13	RIVET	2	ALUMINIUM
14	NAMEPLATE	1	ALUMINIUM
15	HANDLE	1	ALUMINIUM
16	NOTCHED PLATE	2	CAST ALUMINIUM
17	SPRING WASHER	2	SS 304
18	BOLT	2	SS 304



Standard:

Design Standard	: BS EN593
Face to Face	: BS EN558-1
Flange Connection	: EN1092-1 PN10/16 JIS B2210 10K : DIN 2501 PN10/16 ANSI B16 125/150 : AS 2129 TABLE E
Top Flange	: ISO 5211
Test Standard	: BS EN12266-1 / API 598



AUTOMA

Automatic Valve & Accessories

TTS Valve Technologies Sdn. Bhd.

(A Member Company of Unimech Group Berhad)

11A Jalan USJ 1/31, 47600 Subang Jaya, Selangor, MALAYSIA

Tel : +60380231128 Fax : +60380233278

Email : info@ttsvalve.com Website : www.ttsvalve.com.my

The contents of this literature for informative purposes only. Automa is not responsible for suitability or compatibility of these products in relation to system requirement. For specific requirements, consult Automa or its distributors. Automa reserves the right to change or modify product design without prior notice.