

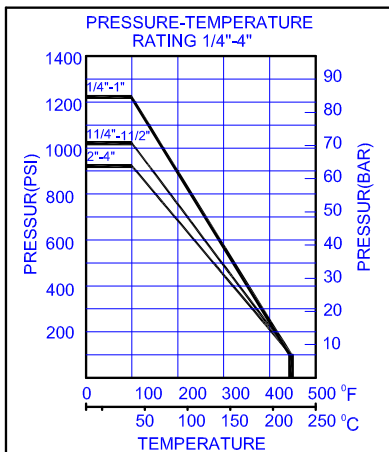
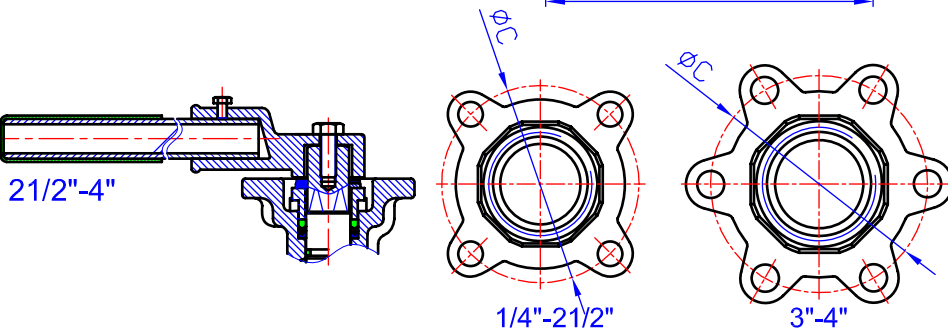
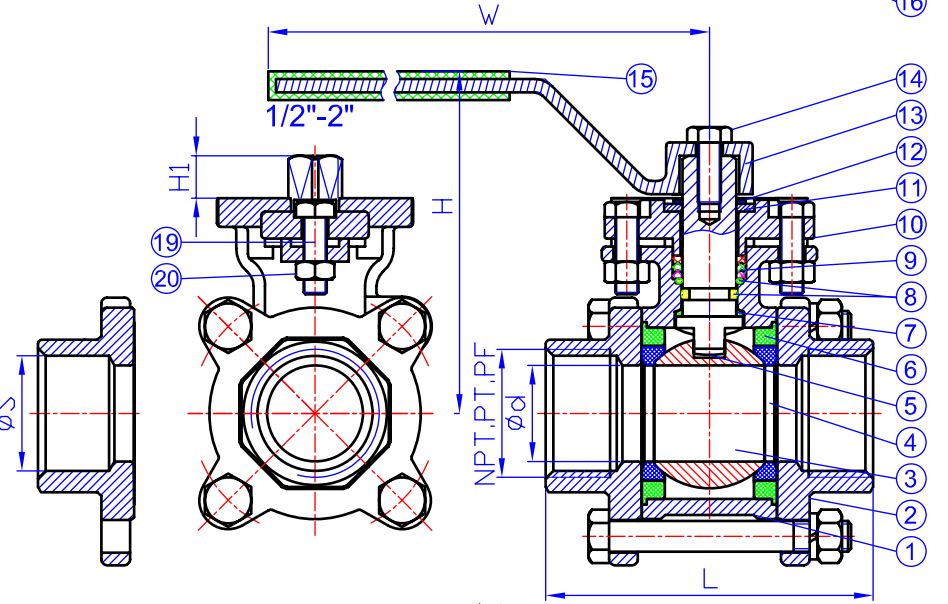
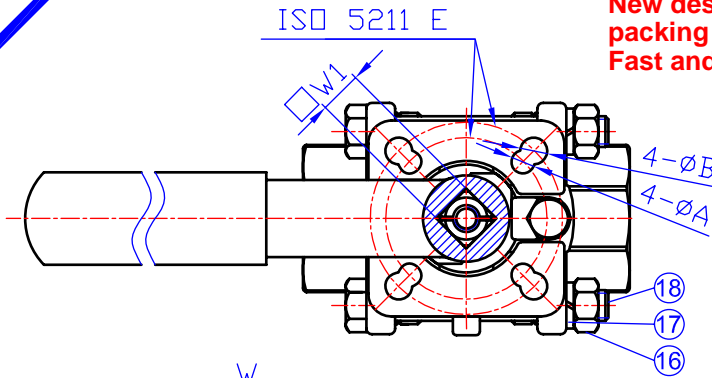
**New design of ISO mounting pad, with adjustable stem packing without removing handle or actuator.**  
**Fast and easy maintenance service in-line.**

**FEATURES:**

- PIPE THREAD IN ACCORDANCE: NPT, BSPT, DIN259, DIN2999, ISO 228 CLASS A
- BLOW-OUT PROOF STEM / FULL PORT
- SCREWED END / SOCKET WELD END
- WITH ISO 5211 MOUNTING PAD
- INVESTMENT CASTING BODY
- 1000PSI (PN63) W.O.G.
- MATERIAL: S45C / ASTM A216Gr-WCB / DIN 1.0619  
SUS316 / ASTM A351Gr-CF8M / DIN 1.4408
- TC141CB / TC143CB SCREWED TYPE
- TC144CB / TC146CB SOCKET WELD TYPE

**MATERIALS LIST:**

NO.	PART NAME	MATERIAL	
		WCB	CF8M
1	BODY	WCB	CF8M
2	CAP	WCB	CF8M
3	BALL	CF8	CF8M
4	SEAT	PTFE	
5	STEM	SUS304	SUS316
6	GASKET	PTFE	
7	THRUST WASHER	PEEK+PTFE	
8	O-RING	VITON	
9	PACKING	PTFE	
10	GLAND	CF8	
11	STOPPER	SUS304	
12	SNAP RING	SUS304	
13	LOCKING	CF8	
14	BOLT	SUS304	
15	PLASTIC COVER	PLASTIC	
16	JOINT NUT	SUS304	
17	SPRING WASHER	SUS304	
18	JOINT BOLT	SUS304	
19	BOLT	SUS304	
20	NUT	SUS304	


**DIMENSIONS:**

SIZE	DN/NPS	d	L	H	W	C	S	ISO 5211	E	H1	W1	A	B	CV FACTOR
8	1/4"	11.6	63	74	123	52.0	14.1	F03-F04	36-42	9	9	6	6	6
10	3/8"	12.7	63	74	123	52.0	17.6	F03-F04	36-42	9	9	6	6	7
15	1/2"	15	63	74	123	52.0	21.7	F03-F04	36-42	9	9	6	6	10
20	3/4"	20	73	78	123	54.5	27.1	F03-F04	36-42	9	9	6	6	25
25	1"	25	85	89	153	63.5	33.8	F04-F05	42-50	11	11	6	7	35
32	1 1/4"	32	96	94	153	74.2	42.6	F04-F05	42-50	11	11	6	7	46
40	1 1/2"	38	114	110	183	84.0	48.7	F05-F07	50-70	14	14	7	9	80
50	2"	50	134	118	183	101	61.1	F05-F07	50-70	14	14	7	9	110
65	2 1/2"	65	180	161	352	132	76.9	F07-F10	70-102	17	17	9	11	310
80	3"	80	200	170	352	161.5	89.8	F07-F10	70-102	17	17	9	11	360
100	4"	100	228	202	397	191	115.5	F10-F12	102-125	22	22	11	13	820

