



AUTOMA

Automatic Valve & Accessories

FULL PORT THREE-PIECE MOUNT DIRECT TYPE BALL VALVE BUTT WELD END 1000W.O.G./PN63

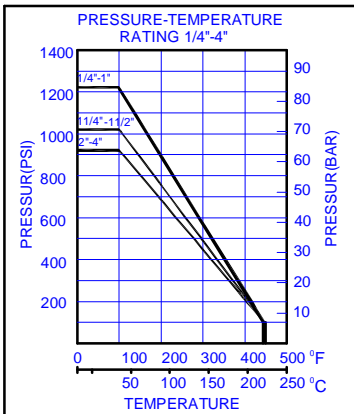
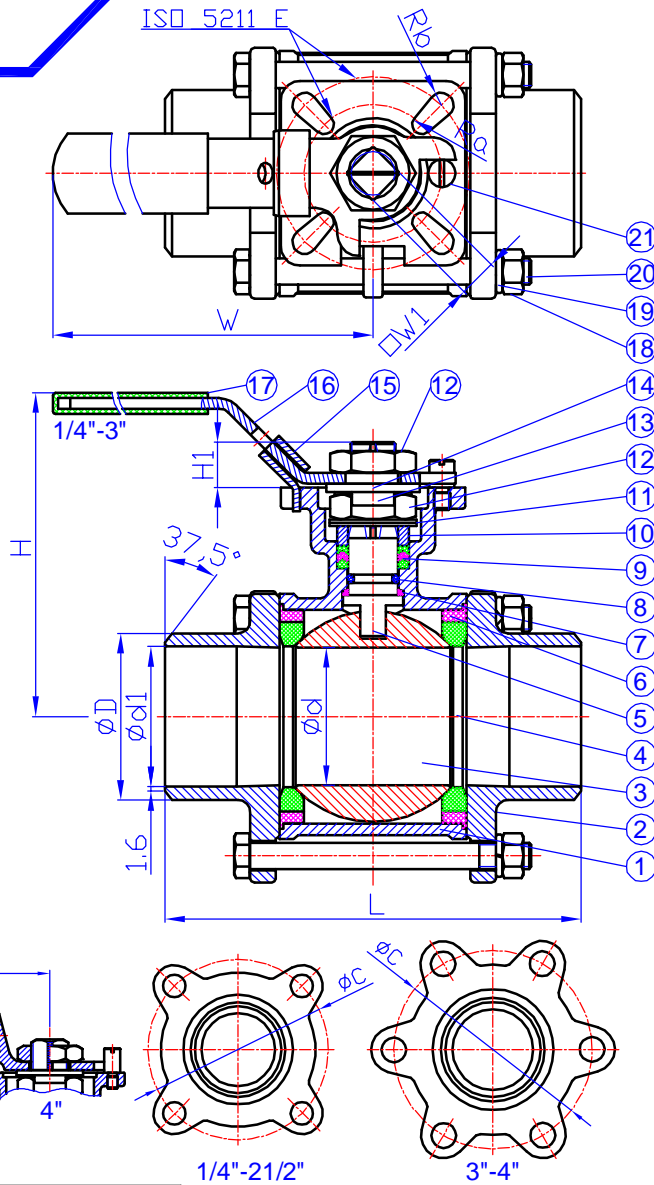
EDITION:A/0

FEATURES:

- BUTT WELD END CAP:ISO1127,DIN2463, ANSI B36.19
- FACE TO FACE:DIN3202-S13
- BLOW-OUT PROOF STEM / FULL PORT
- WITH ISO 5211 MOUNTNG PAD
- INVESTMENT CASTING BODY
- 1000PSI(PN63)W.O.G.
- LOCKING DEVICE

MATERIALS LIST:

NO.	PART NAME	MATERIAL	
		CF8	CF8M
1	BODY	CF8	CF8M
2	CAP	CF8	CF8M
3	BALL	CF8M	
4	SEAT	PEEK	
5	STEM	SUS316	
6	GASKET	PTFE	
7	THRUST WASHER	PEEK+PTFE	
8	O-RING	VITON	
9	PACKING	PTFE	
10	GLAND	SUS304	
11	SPRING WASHER	SUS304	
12	STEM NUT	SUS304	
13	STOP WASHER	SUS304	
14	HANDLE WASHER	SUS304	
15	LOCKING DEVICE	SUS304	
16	HANDLE	SUS304	
17	PLASTIC COVER	PLASTIC	
18	JOINT NUT	SUS304	
19	SRING WASHER	SUS304	
20	JOINT BOLT	SUS304	
21	STOP PIN	SUS304	



DIMENSIONS:

SIZE	DN	NPS	d	d1	L	H	W	C	D	ISO 5211	E	H1	W1	Ra	Rb	CV FACTOR	TORQUE N.M
15	1/2"	15	16.0	75	74	123	52.0	21.3	F03-F04	36-42	9	9	R3	R3	10	12	
20	3/4"	20	20.0	90	78	123	54.5	26.7	F03-F04	36-42	9	9	R3	R3	25	15	
25	1"	25	25.0	100	89	153	63.5	33.6	F04-F05	42-50	11	11	R3	R3.5	35	18	
32	1 1/4"	32	33.8	110	94	153	74.2	42.4	F04-F05	42-50	11	11	R3	R3.5	46	20	
40	1 1/2"	38	39.5	125	110	183	84.0	48.0	F05-F07	50-70	14	14	R3.5	R4.5	80	35	
50	2"	50	50.8	150	118	183	101	60.5	F05-F07	50-70	14	14	R3.5	R4.5	110	48	
65	2 1/2"	65	62.7	190	161	246	132	76.1	F07-F10	70-102	17	17	R4.5	R5.5	310	55	
80	3"	80	77.9	220	170	246	161.5	88.9	F07-F10	70-102	17	17	R4.5	R5.5	360	85	



Certificate Number: 8711

TTS Valve Technologies Sdn Bhd

info@ttsvalve.com



www.ttsvalve.com